



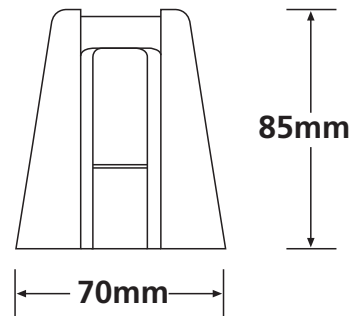
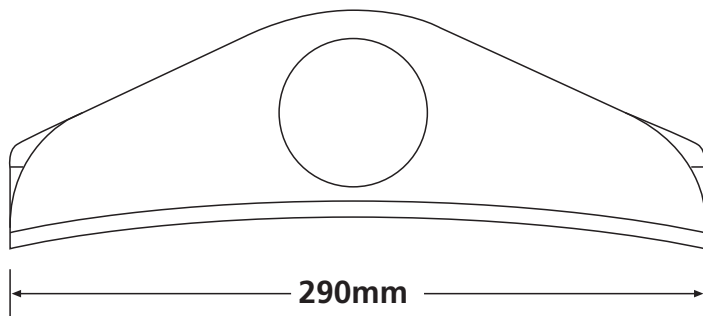
The leading name in  
Commercial Vehicle  
Mudguards and  
Accessories

## IT-HD BRACKET

- The IT-HD bracket has been designed especially for the fitment of steel, aluminium, GRP and tractor unit mudguards.
- Unique design, superb appearance.
- No unsightly nuts and bolts.
- IT-HD Brackets hold the mudguard stay (pole) off the mudguard surface, hence no water traps – no rust problems.
- Quick and easy to fit.
- Mudguard removal for routine maintenance is faster.
- User friendly, no tools needed under the mudguard to fit the bracket.
- Unique 'gripping' system secures the I-T Bracket to the mudguard stay.
- Resistance to most chemicals.
- Patent applied for.



IT-HD BRACKET	
PART NO.	TO SUIT TUBE DIAMETER
IT42-HD	41mm - 42.9mm
IT48-HD	48mm - 49.9mm
IT52-HD	50.8mm - 52mm



Manufactured by:  
**Boydell and Jacks Ltd**  
Wingard House  
Lincoln Street  
Healey Wood Ind Estate  
Burnley  
Lancashire  
England  
BB11 2HW

Tel: +44 (0) 1282 456411  
Fax: +44 (0) 1282 437496

Email:  
[sales@featherwing.com](mailto:sales@featherwing.com)

Website:  
[www.featherwing.com](http://www.featherwing.com)

All dimensions nominal.  
The manufacturer reserves the right to alter sizes, specifications etc. without prior notice.  
E&OE B&J 02/09

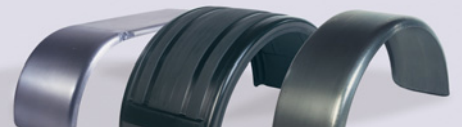


This featherwing product is fully recyclable



Certificate No. Q05804  
Boydell & Jacks Quality Control  
Procedures conform to  
BS EN ISO 9001: 2000

The leading name  
in Commercial  
Vehicle  
Mudguards  
and Accessories



**NOTES**

Lined area for notes, featuring a large, faint watermark of a stylized eagle with spread wings.

Manufactured by:  
**Boydell and Jacks Ltd**  
Wingard House  
Lincoln Street  
Healey Wood Ind Estate  
Burnley  
Lancashire  
England  
BB11 2HW

Tel: +44 (0) 1282 456411  
Fax: +44 (0) 1282 437496

Email:  
[sales@featherwing.com](mailto:sales@featherwing.com)

Website:  
[www.featherwing.com](http://www.featherwing.com)

