



The leading name in
Commercial Vehicle
Mudguards and
Accessories

EXTINGUISHER AND SPILL KIT COMBI-BOX

- Dual Purpose Extinguisher and Spill Kit Case
- Moulded from heavy duty polyethylene
- Suitable for Extinguishers up to 9 kg
- Available as Box only or complete with Extinguisher and Spill Kit
- Water resistant seal
- Bracket kit moulded

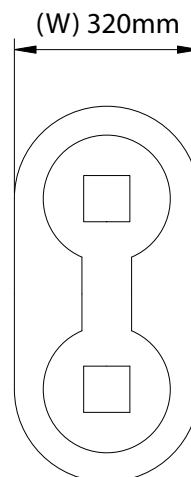
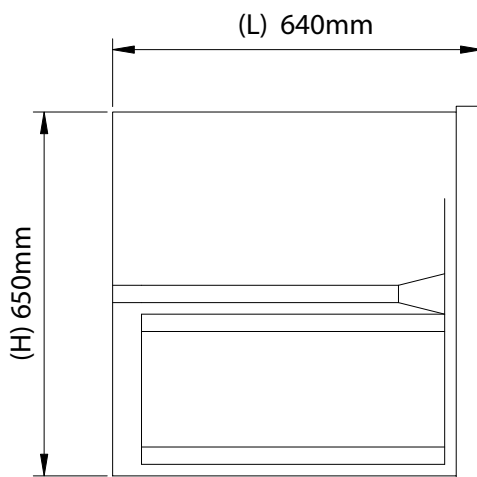


EXTINGUISHER AND SPILL KIT COMBI-BOX

Part No	Description
BJB22ES	Dual Purpose Extinguisher and Spill Kit Case with Brackets

OPTIONAL PARTS

Part No	Description
FE-PD6kg	6 kg Dry Powder Extinguisher
FE-PD9kg	9 kg Dry Powder Extinguisher
SPK450-OIL	Oil Specific Spill Kit – up to 65Ltr Absorption
SPK450-HC	Hazardous Chemical Spill Kit – up to 65Ltr Absorption



Manufactured by:
Boydell and Jacks Ltd
Wingard House
Lincoln Street
Healey Wood Ind Estate
Burnley
Lancashire
England
BB11 2HW

Tel: +44 (0) 1282 456411
Fax: +44 (0) 1282 437496

Email:
sales@featherwing.com

Website:
www.featherwing.com

All dimensions nominal.

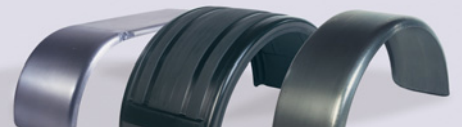
The manufacturer reserves the right to alter sizes, specifications etc. without prior notice
E&OE B&J 01/07



Certificate No. Q05804

Boydell & Jacks Quality Control
Procedures conform to
BS EN ISO 9001: 2000

The leading name
in Commercial
Vehicle
Mudguards
and Accessories



NOTES

Lined area for notes, featuring a large, faint watermark of a stylized eagle with spread wings.

Manufactured by:
Boydell and Jacks Ltd
Wingard House
Lincoln Street
Healey Wood Ind Estate
Burnley
Lancashire
England
BB11 2HW

Tel: +44 (0) 1282 456411
Fax: +44 (0) 1282 437496

Email:
sales@featherwing.com

Website:
www.featherwing.com

