



The leading name in
Commercial Vehicle
Mudguards and
Accessories

TOP LOADING FIRE EXTINGUISHER & SPILL KIT CASES

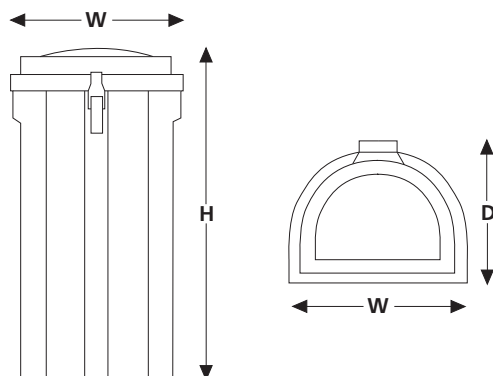
- Lightweight – manufactured from Polyethylene.
- High chemical and impact resistance.
- Waterproof seal.
- Internal Extinguisher restraining strap.
- Easy fitment.
- Available with or without fixing brackets.
- All fixings coated with anti-corrosive protection.
- Extinguisher Case moulded in Red.
- Spill Kit Cases moulded Dark Grey.



TOP LOADING FIRE EXTINGUISHER & SPILL KIT CASES

BJB 18 RANGE - SUITS MOST 6KG & 9KG EXTINGUISHERS

PART NO.	WIDTH (W)	HEIGHT (H)	DEPTH (D)	DESCRIPTION
BJB 18EF	310mm	675mm	280mm	TOP LOADING SPILL KIT CASE COMPLETE WITH ALL BRACKETRY
BJB 18E	310mm	675mm	280mm	TOP LOADING FIRE EXTINGUISHER CASE ONLY
BJB 18SF	310mm	675mm	280mm	TOP LOADING SPILL KIT CASE COMPLETE WITH ALL BRACKETRY
BJB 18S	310mm	675mm	280mm	TOP LOADING SPILL KIT CASE ONLY
BJB 18FIX				BRACKET KIT TO SUIT BJB 18E AND 18S



All dimensions nominal.

The manufacturer reserves the right to alter sizes, specifications etc. without prior notice

E&OE B&J 01/07



This Featherwing
product is
fully recyclable



Certificate No. Q05804

Boydell & Jacks Quality Control
Procedures conform to
BS EN ISO 9001: 2000

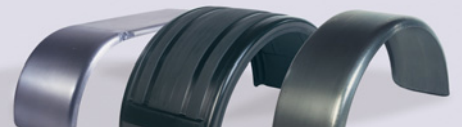
Manufactured by:
Boydell and Jacks Ltd
Wingard House
Lincoln Street
Healey Wood Ind Estate
Burnley
Lancashire
England
BB11 2HW

Tel: +44 (0) 1282 456411
Fax: +44 (0) 1282 437496

Email:
sales@featherwing.com

Website:
www.featherwing.com

The leading name
in Commercial
Vehicle
Mudguards
and Accessories



NOTES

A series of horizontal blue lines for taking notes, overlaid with a large, faint watermark of a stylized eagle with its wings spread, perched on a curved mudguard component.

Manufactured by:
Boydell and Jacks Ltd
Wingard House
Lincoln Street
Healey Wood Ind Estate
Burnley
Lancashire
England
BB11 2HW

Tel: +44 (0) 1282 456411
Fax: +44 (0) 1282 437496

Email:
sales@featherwing.com

Website:
www.featherwing.com

