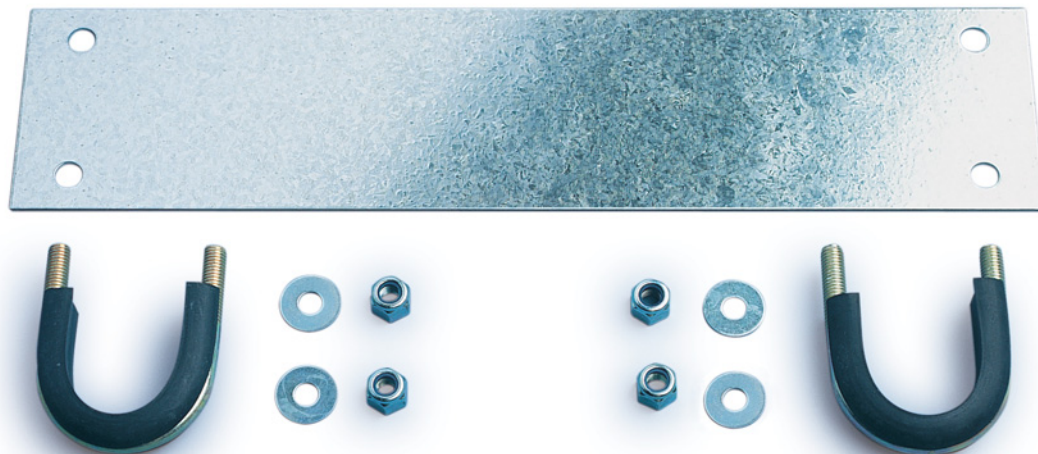




The leading name in
Commercial Vehicle
Mudguards and
Accessories

U BOLT CLAMPS

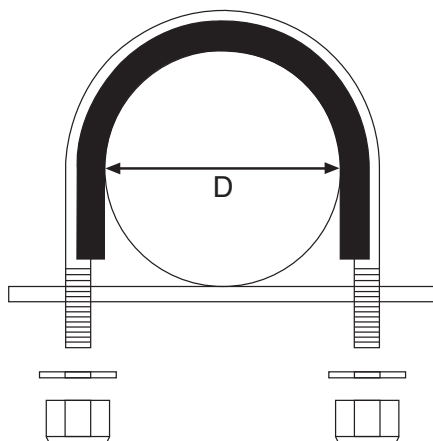


- Backplate galvanised finish
- Neoprene anti-slip sleeve included
- Full kit fits one pair of mudguards

U BOLT CLAMPS

A COMPLETE KIT CONTAINS ENOUGH COMPONENTS TO FIT ONE PAIR OF MUDGUARDS.
U BOLT PART NO'S COME COMPLETE WITH NEOPRENE ANTI-SLIP SLEEVE, NYLOC NUTS AND WASHERS

COMPLETE KIT PART NO.	U BOLT PART NO.	BKP PART NO.	TO SUIT TUBE DIAMETER	SUITS MUDGUARD
UB35NK	UB35	UB35BPN	35mm	UP TO 570MM WIDE
UB35WK	UB35	UB35BPW	35mm	OVER 570MM WIDE
UB42NK	UB42	UB42BPN	42mm	UP TO 570MM WIDE
UB42WK	UB42	UB42BPW	42mm	OVER 570MM WIDE
UB50NK	UB50	UB50BPN	50mm	UP TO 570MM WIDE
UB50WK	UB50	UB50BPW	50mm	OVER 570MM WIDE



All dimensions nominal.

The manufacturer reserves the right to alter sizes, specifications etc. without prior notice
E&OE B&J 01/07

Manufactured by:
Boydell and Jacks Ltd
Wingard House
Lincoln Street
Healey Wood Ind Estate
Burnley
Lancashire
England
BB11 2HW

Tel: +44 (0) 1282 456411
Fax: +44 (0) 1282 437496

Email:
sales@featherwing.com

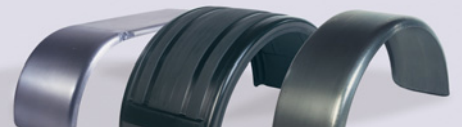
Website:
www.featherwing.com



Certificate No. Q05804

Boydell & Jacks Quality Control
Procedures conform to
BS EN ISO 9001: 2000

The leading name
in Commercial
Vehicle
Mudguards
and Accessories



NOTES

A series of horizontal blue lines for taking notes, overlaid with a large, faint watermark of a stylized eagle with its wings spread.

Manufactured by:
Boydell and Jacks Ltd
Wingard House
Lincoln Street
Healey Wood Ind Estate
Burnley
Lancashire
England
BB11 2HW

Tel: +44 (0) 1282 456411
Fax: +44 (0) 1282 437496

Email:
sales@featherwing.com

Website:
www.featherwing.com

