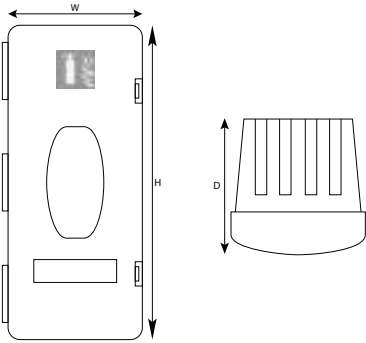


## FRONT LOADING FIRE EXTINGUISHER CASES

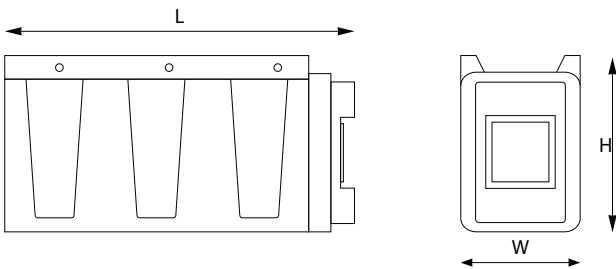
- All Plastic Construction, Non-Corrosive.
- Lightweight.
- Viewing Window.
- Internal Extinguisher Strap.
- Suitable for most 6KG and 9KG Extinguishers.
- Fully Certified



FRONT LOADING FIRE EXTINGUISHER CASES				
PART NO.	WIDTH (W)	HEIGHT (H)	DEPTH (D)	DESCRIPTION
<b>BJB-RB155</b>	290mm	690mm	260mm	Front Loading Extinguisher Box Including Internal Strap and Viewing Window Suitable For Most Extinguishers Up To 9kg
<b>BJB-RB155-B</b>	560mm	740mm	230mm	As Above but in Black

## PREMIUM FIRE EXTINGUISHER AND SPILL KIT CASES

- Moulded from heavy duty polyethylene.
- Inspection Window on BJB24E and BJB25ES.
- Moulded-in fixing points.
- Ideally suited to the Petrochemical Industries.
- Available as a dedicated Fire Extinguisher and Spill Kit Case or as a Dual Purpose Box.
- Fitted with water resistant seal.
- Fully Certified



PREMIUM FIRE EXTINGUISHER AND SPILL KIT CASES				
PART NO.	WIDTH (W)	HEIGHT (H)	LENGTH (L)	DESCRIPTION
<b>BJB24E</b>	250mm	290mm	735mm	9 kg Fire Extinguisher Box with Window
<b>BJB25ES</b>	250mm	370mm	735mm	Dual Purpose Spill Kit & 6 kg Fire Extinguisher Box

All dimensions nominal.

The manufacturer reserves the right to alter sizes, specifications etc. without prior notice