

Euro Clamp

Product Information

- High quality 2-part clamping system
- Finished with a quality zinc plate
- 2 clamps required per arm

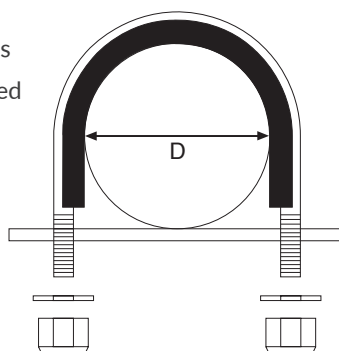


| Part No. | To Suit Tube Diameter |
|----------|-----------------------|
| EC42 | 42mm |

U Bolt Clamps

Product Information

- Backplate galvanised finish
- Full kit fits **one pair** of mudguards
- Neoprene anti-slip sleeve included



| Kit Part No. | U Bolt Part No. | Black Plate Part No. | To Suit Tube Diameter (D) | Suits Mudguard |
|--------------|-----------------|----------------------|---------------------------|------------------|
| UB35NK | UB35 | UB35BPN | 35mm | Up To 570mm Wide |
| UB35WK | UB35 | UB35BPW | 35mm | Over 570mm Wide |
| UB42NK | UB42 | UB42BPN | 42mm | Up To 570mm Wide |
| UB42WK | UB42 | UB42BPW | 42mm | Over 570mm Wide |
| UB50NK | UB50 | UB50BPN | 50mm | Up To 570mm Wide |
| UB50WK | UB50 | UB50BPW | 50mm | Over 570mm Wide |

A Complete Kit Contains Enough Components To Fit ONE PAIR OF MUDGUARDS

U Bolt Part No's Come Complete With Neoprene Anti-Slip Sleeve, Nyloc Nuts And Washers